

Nitrogen Oxides Analyzer

KIMOTO

model **NA-721**

Nitrogen oxides are the causative agents such as the photochemical smog and acid rain. NA-721 is a continuous analyzer that measures NO_x, NO and NO₂ in ambient air by a chemiluminescence method (CLD) complying with JIS B 7953.



High accuracy measurement and zero stability is achieved by the flow switching method.

Low span drift by the simultaneous calibrating technology.

Simple operation on a large color LCD touch panel offers a lot of information.

Large capacity memory to save measured data for over a year.

USB memory for general-purpose is available to data extraction

Ethernet interface is available as standard equipment for digital telemetering

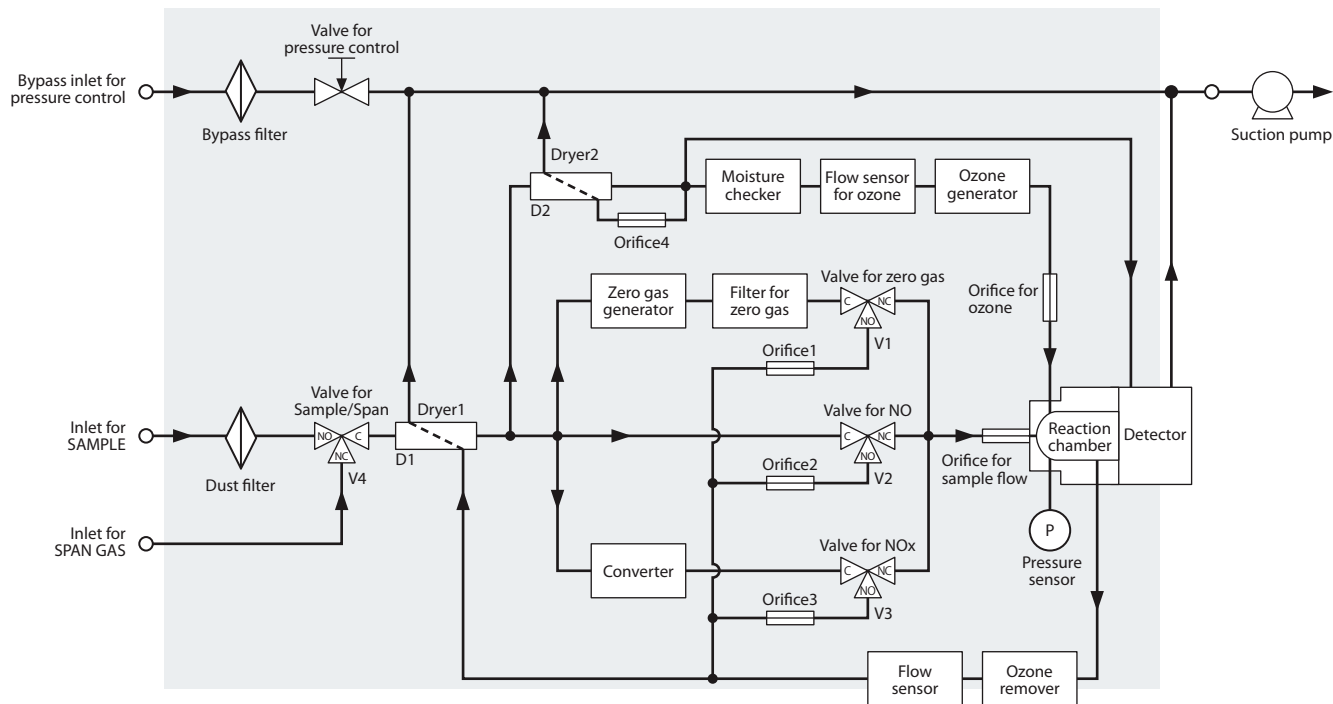
General Specifications

Measuring object	Nitrogen oxides (NO ₂ , NO, NO _x) in ambient air	Interference	4 ppb or less (NH ₃ 1ppm), 4% or less (moisture 25°C 80%RH)
Measuring method	Chemiluminescence method (JIS B 7953)	Warming-up time	within 3 hour
Measuring range *	0 - 1 ppm (normal), 0 - 2 ppm (optional)	Ambient temp.	0 - 40°C
Analog output range *	0 - 0.1/ 0.2/ 0.5/ 1.0 ppm 4-ranges auto/manual switching (normal), 0 - 0.2/ 0.5/ 1.0/ 2.0 ppm 4-ranges auto/manual switching (optional) *Starting range is selectable *Fixed range is also available	Sample flow rate	approx. 1 L/min
Repeatability	±1% of span gas concentration	Dust filter *	φ47mm PTFE filter
Zero drift	±1ppb /week	LCD display	Measuring data, Output range, performance and control information, Messages, Alert
Span drift	±2% /day, ±4% /week of span gas conc.	Internal data memory	Measuring data (1min, 1h data), Operation history, Messages, Alert
Linearity	±4% for half number of span gas conc.	Digital IN/OUT	Ethernet, USB1.1, RS232C
Stability to voltage fluctuation	±1%/ 100±10V for span gas conc.	Output for serial recorder (optional) *	Measuring data (1min, 1h data), Operation history, Messages, Alert
Stability of reading for temperature change	Zero: within ± 1 ppb / 5°C Span: within ± 2 % / 5°C of span gas conc.	Analog output for telemeter (optional) *	DC 0 - 1V : Continuous data, 1h mean value Contact signal : Output range, external reset, adjusting, power discontinuity, disconnecting, system failure, etc.
Conversion efficiency	96% or more	Power requirement	AC100V 50/ 60Hz approx. 300VA
Response time	3 minutes or less (T90)	Withstand voltage test	AC1000V 50/ 60Hz during 1 min.
Detection limit	1 ppb or less	Insulation resistance	more than 5 Megohm

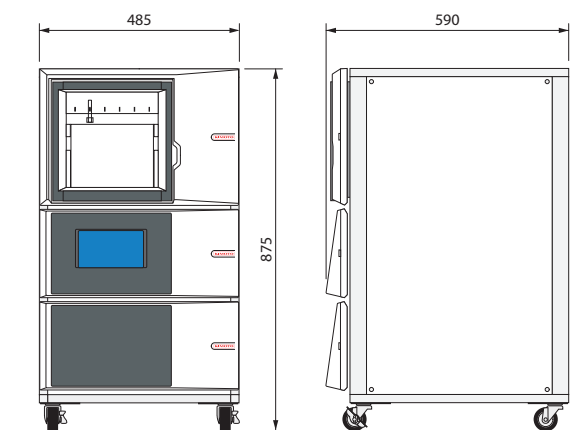
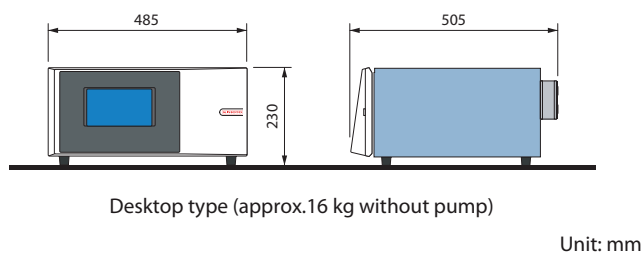
Optional

Rack mount	A17: H875mm rollaway rack A22: H1100mm rollaway rack	Analog I/O unit for a telemeter	TU07 : terminal block (Rear connection with rack mount)
Recorder	Serial recorder Chart width:180mm	Auxiliary gases supply	Automatic diluter DS-071N single diluting by flow ratio with zero gas generating unit.
*For further information, please contact us.			

Flow Diagram



Dimensions



Product Code

NA-721- [] [] [] [] []

T1	Desktop type
A1	A17 Rack
A2	A22 Rack
R	Serial Recorder
0	No use
T	Analog I/O unit for a Telemeter TU07
0	No use
D	Standard gas generator DS-071N
0	No use
1	Measuring range 0 - 1 ppm
2	Measuring range 0 - 2 ppm



CAUTION

*) Operation manual should be read before measuring.

*) To avoid fire, break down and electric shock, do not use this analyzer at the place where beside water, high moisture, dust or oily smoke.



KIMOTO ELECTRIC CO., LTD.

3-1FUNAHASHI-CHO,TENNOJI-KU,OSAKA 543-0024 JAPAN

TEL 06-6768-3401 FAX 06-6764-7040 E-mail:sales@kimoto-electric.co.jp

http://www.kimoto-electric.co.jp